



**DC 421M**



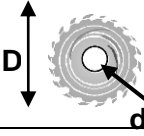

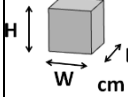
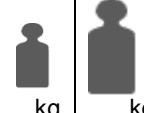


**DC 421P**

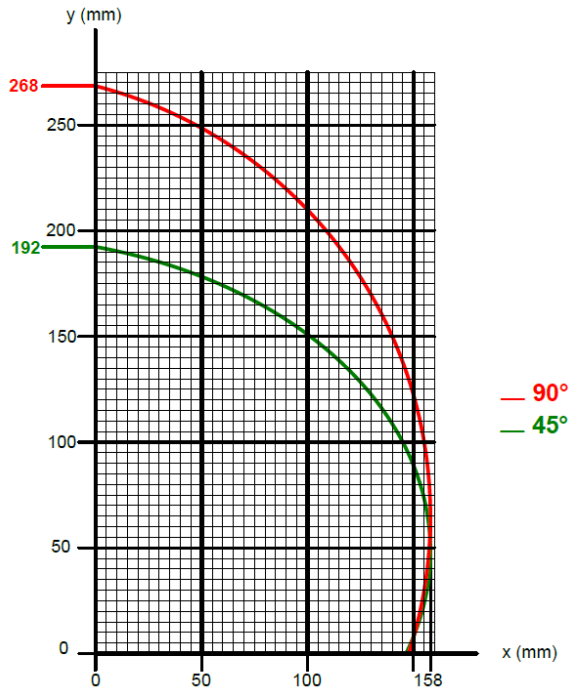


**DC 421PB**

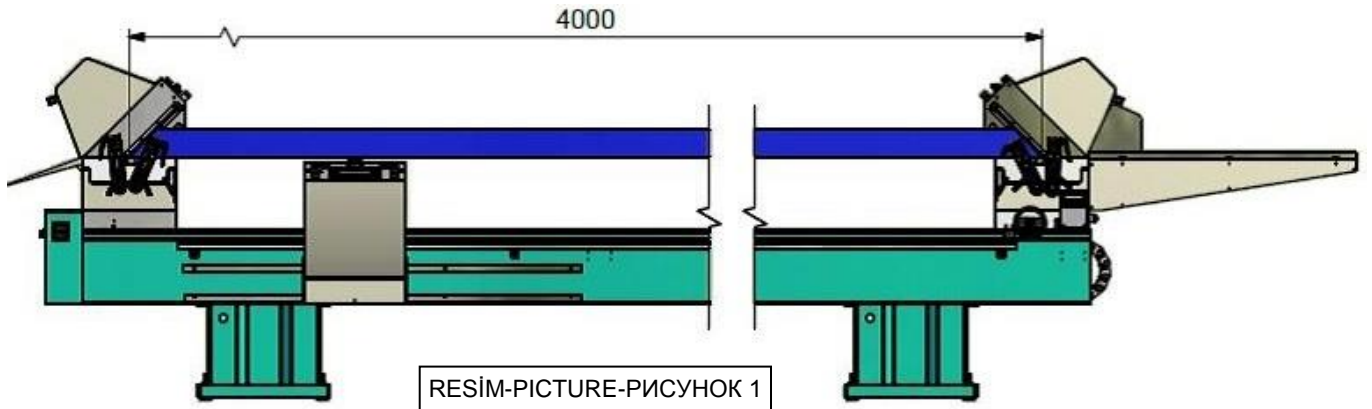
TEKNİK ÖZELLİKLER - TECHNICAL FEATURES - ТЕХНИЧЕСКИЕ ОСОБЕННОСТИ

						
		3000 dev/dak. RPM	D = 420 mm d = 30 / 32 mm	6-8 BAR	40 Lt/dak. Lt/min.	kg kg
<b>DC 421 M</b>	2.2 kW 50 Hz X 2 400V AC 3P PE	3000 dev/dak. RPM	D = 420 mm d = 30 / 32 mm	6-8 BAR	40 Lt/dak. Lt/min.	840 1090
<b>DC 421 P</b>	2.2 kW 50 Hz X 2 + 0.25 kW 400V AC 3P PE	3000 dev/dak. RPM	D = 420 mm d = 30 / 32 mm	6-8 BAR	57 Lt/dak. Lt/min	905 1155
<b>DC 421 PB</b>	2.2 kW 50 Hz X 2 + 0.25 kW 400V AC 3P PE	3000 dev/dak. RPM	D = 420 mm d = 30 / 32 mm	6-8 BAR	57 Lt/dak. Lt/min	930 1180

KESME DİYAGRAMI – CUTTING DIAGRAM – ДИАГРАММА ВЫПИЛИВАНИЯ

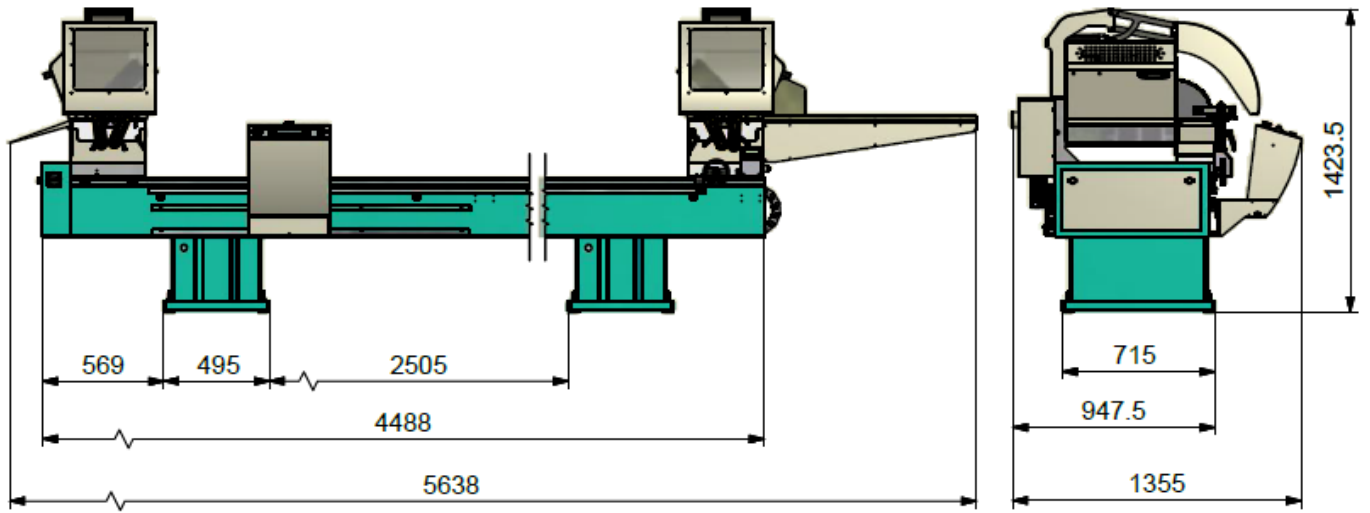


90°                      45°  
 Min = 360 mm.        Min = 430 mm.  
 Max = 4000 mm.     Max = 4000 mm.



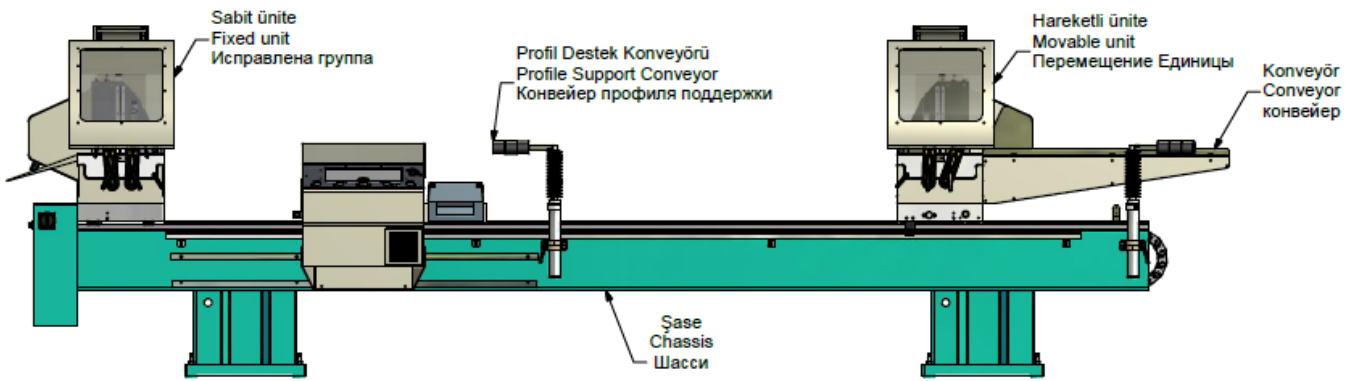
RESİM-PICTURE-РИСУНОК 1

**BOYUTLAR – DIMENSIONS – РАЗМЕРЫ**

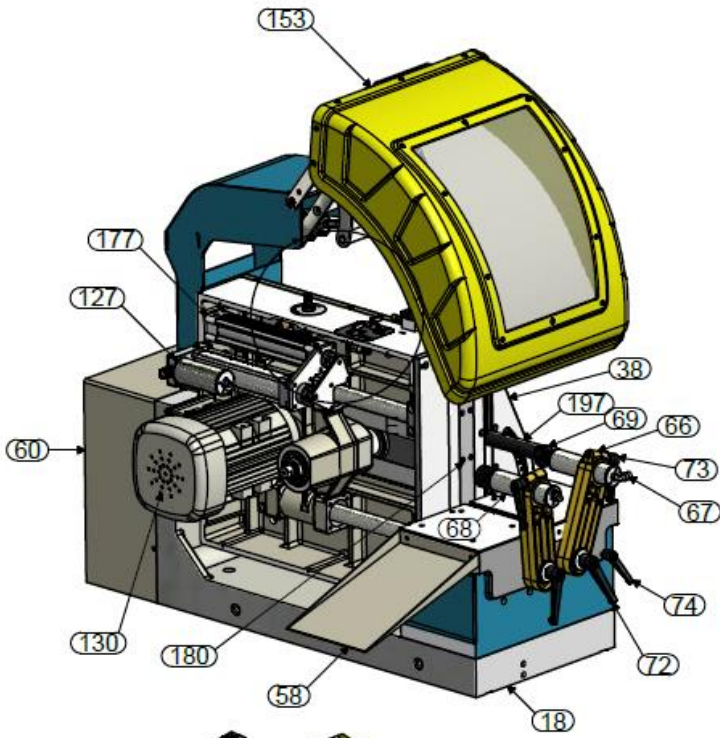


RESİM-PICTURE-РИСУНОК 2

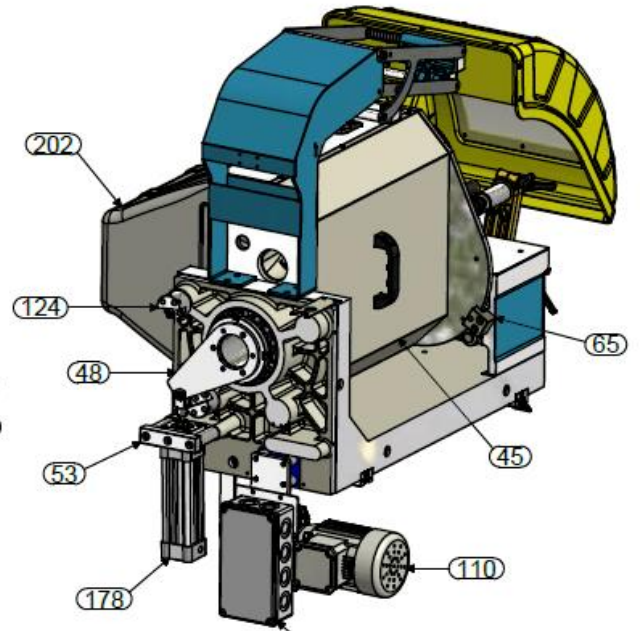
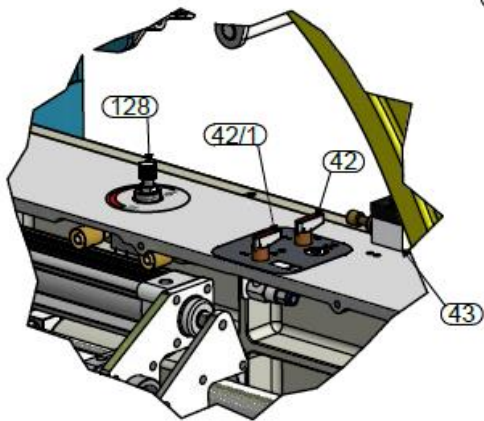
**PARÇA LİSTESİ - PART LIST - ПЕРЕЧЕНЬ ДЕТАЛЕЙ**



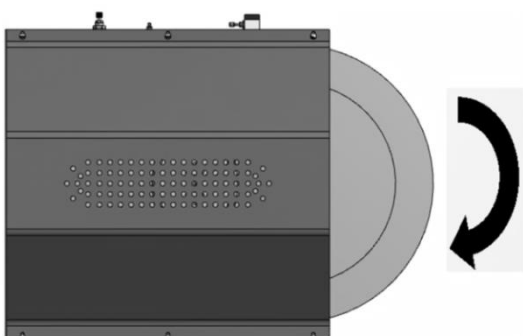
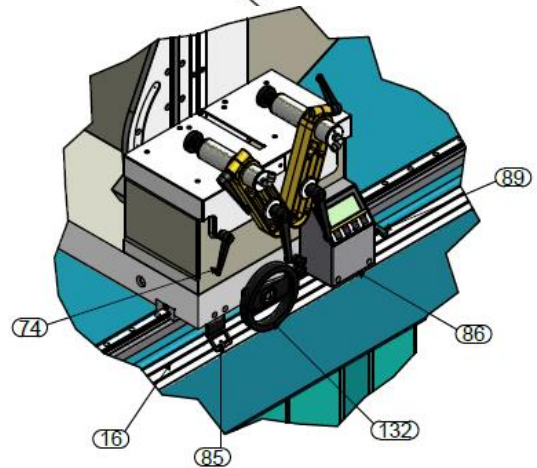
RESİM-PICTURE-РИСУНОК 3



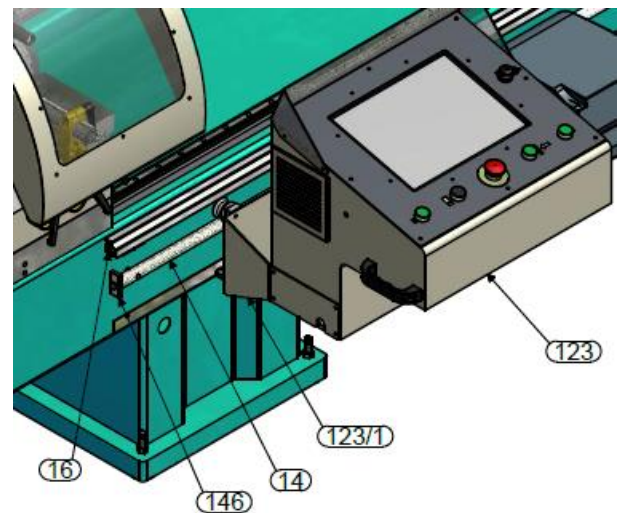
RESİM-PICTURE-РИСУНОК 4



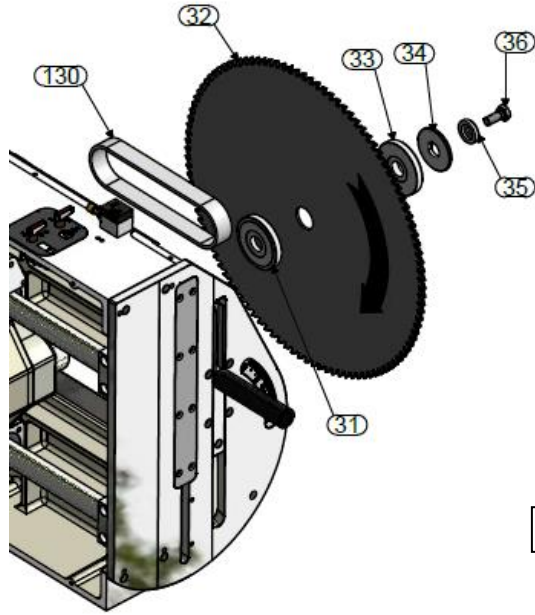
RESİM-PICTURE-РИСУНОК 5



RESİM-PICTURE-РИСУНОК 8



RESİM-PICTURE-РИСУНОК 7

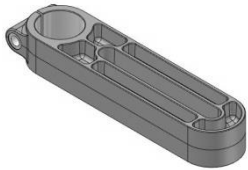







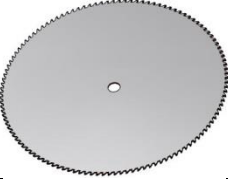


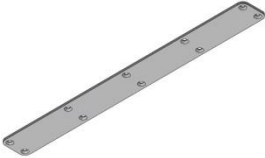

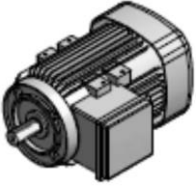


RESİM-PICTURE-РИСУНОК 6

NO номер	STOK KODU / CODE ПОРЯДОК КОД	ADET / QTY КОЛИЧЕСТВО	NO номер	STOK KODU / CODE ПОРЯДОК КОД	ADET / QTY КОЛИЧЕСТВО
6	1SR080000-0034	4	65	2TU011210-0723	2
14	2TU014010-0182	1	72	3UA060030-0004	4
16	2TU012310-0071	1	74	3UA040030-0021	2
31	2TU011110-0422	2	85	2TU011441-0641	1
33	2TU011110-0423	2	86	2TU012510-0388	1
34	2TU011441-0016	2	110	1EL070001-0011 *	1
35	2TU011110-0203	2	123	1SA020000-0053 **	1
36	1SC021000-0003	2	123/1	2TU011441-0628 *	1
38	2TU011410-0082	1	124	2TU011110-1105	4
202	1PL010000-0060	1	127	3UA050030-0020	2
45	2TU011441-0643	1	130	1EL070001-0001	2
48	2TU011441-0637	2	132	3UA690030-0125	1
53	2TU011210-0303	2	153	1PL010000-0061	2
177	1PN020000-0172	2	146	2TU011210-0087	2
58	1SA050000-0228	1			
60	1SA030000-0080	1			

\*DC 421 P

\*\* DC 421 PB

YEDEK PARÇA LİSTESİ / SPARE PART LIST / СПИСОК ЗАПАСНЫХ ЧАСТЕЙ			
PARÇA NO PART NO НОМЕР	RESİM PICTURE РИСУНОК	STOK KODU / CODE ПОРЯДОК КОД	PARÇA ADI – PART NAME НАИМЕНОВАНИЕ ДЕТАЛИ
66		2TU012610-0044	MENGENE PİSTONU BAĞLANTISI PISTON CLAMP CONNECTION
68		3UA060030-0004	PNÖMATİK MENGENE PNEUMATIC CLAMP

67		1PN140000-0005	1/8-6 REKOR 1/8-6 FITTING
73		3UA040030-0007	M8x32 PİPO M8x32 HANDLE
72		3UA040030-0001	M12*60 PİPO M12*60 HANDLE
74		3UA040030-0021	M12*35 PİPO M12*35 HANDLE
32		1SK010000-0046	Ø 550 TESTERE Ø 550 SAW
130		1SR070000-0015	MOTOR KAYIŞI MOTOR BELT PJ483*24,5 (11 Kanal)
43		1PN010000-0012	SPRAYER SU PÜSKÜRTME VALF WATER SPRAY VALVE
180		2TU011441-0014	TESTERE KANAL LAMASI SAW CHUTE PLATE
69		1PL010000-0033	MENGENE PABUCU CLAMP FEET
130		1EL070001-0002 400V-415V (3P 50 Hz)	MOTOR MOTOR
132		2TU010010-0011	VOLAND KOLU
		1EL200000-0124	PİSTON ÜSTÜ SENSÖR

